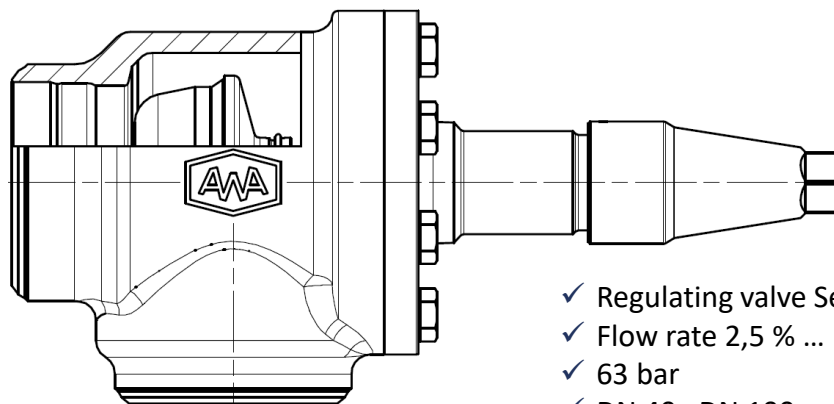


INDUSTRIAL VALVE – CONSEQUENTIAL ENHANCEMENT

Series 880 proven design for industrial refrigeration, air conditioning, mining and underground construction in Europe, Asia and America

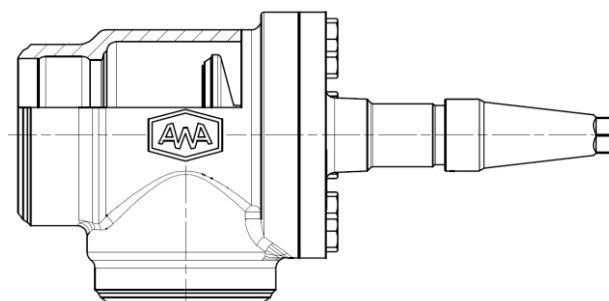


Brand-new since 2020

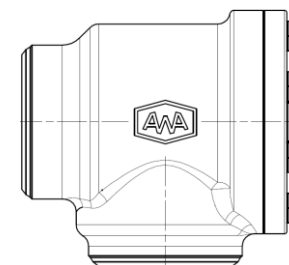


- ✓ Regulating valve Series 880-1
- ✓ Flow rate 2,5 % ... 100 %
- ✓ 63 bar
- ✓ DN 40...DN 100

Successfully launched in 2018



- ✓ Shut off valve Series 880-0



- ✓ Strainer Series 884
- ✓ Double supported stiffener
 - inside and outside

- ✓ Reduced pressure drop by optimized design
- ✓ Modular housing concept
- ✓ Pressure release to 63 bar
- ✓ Increased temperature range -60 °C...+150 °C
- ✓ DN 40...DN 200
- ✓ Refrigerant: CO₂; NH₃; HFO; A2L
- ✓ Steel casting
- ✓ EU type examination acc. PED from DN125

