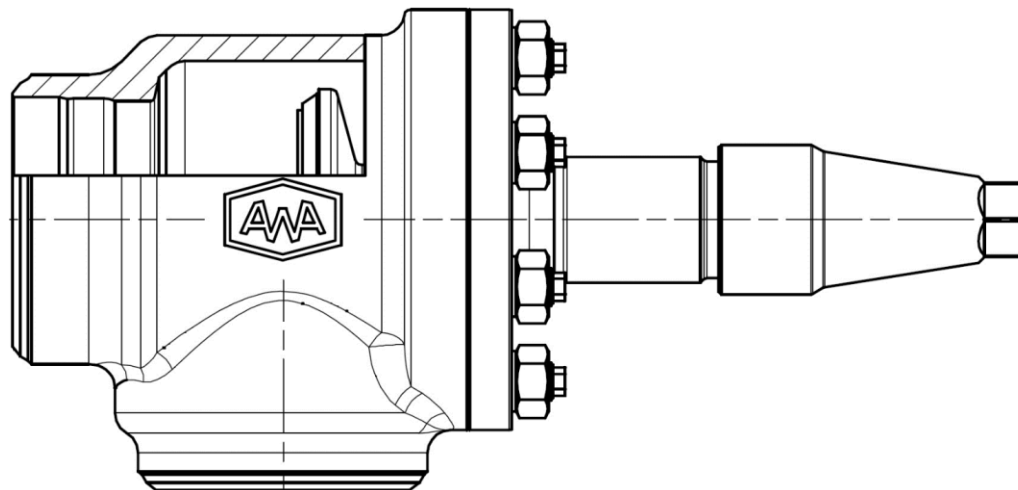


CO₂ VALVE – INCREASED COOLING CAPACITY

Evolution of the successful industrial valve design of Series 880, now for pressure resistance up to 100 bar



Engineered to meet challenges of continuously increasing cooling capacities in CO₂ refrigeration systems.

- ✓ High pressure Industrial Valve Series 880-2
- ✓ Up to 100 bar
- ✓ -60 °C...+150 °C
- ✓ DN 40...DN 100
- ✓ Reduced pressure drop by optimized design
- ✓ Steel casting

