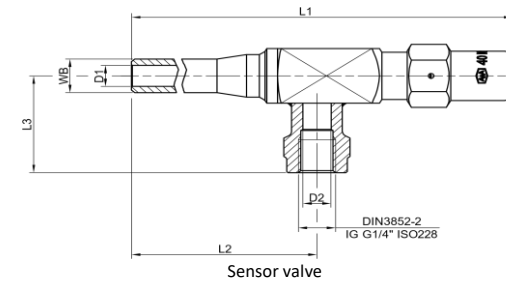
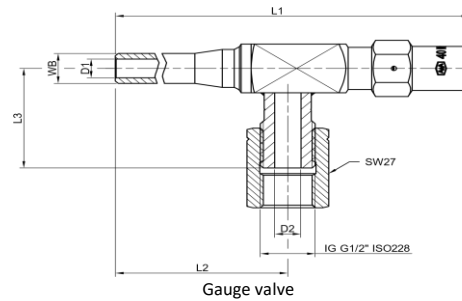
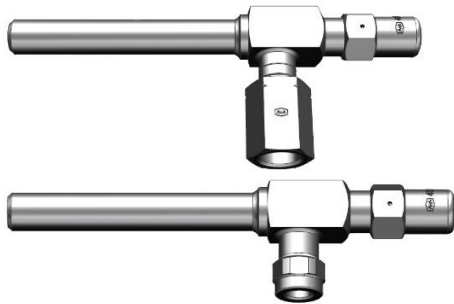


Serviceventil mit Stumpfschweißanschluss – Edelstahl – Serie 263 [service valve with butt weld connection – stainless steel – series 263]



✓ 100% He tested

✓ Made in Germany

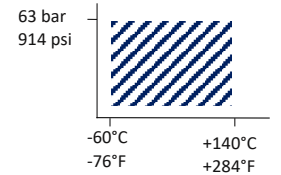


RoHS conform



Part Number	WB mm	DN mm	NPS inch	D ₁ mm	D ₂ mm	L ₁ mm	L ₂ mm	L ₃ mm	Kv m ³ /h
Gauge valve									
263 121 000	13,5	08	1/4	8,5	10	200	130	45	2,1
263 122 000	17,2	10	3/8	12	10	200	130	45	2,8
Sensor valve									
263 123 000	13,5	08	1/4	8,5	10	200	130	39	2,3
263 124 000	17,2	10	3/8	12	10	200	130	39	2,8

Edelstahl/ stainless steel



- ✓ NH₃, CO₂, brennbare KM, HFO, Freon
[NH₃, CO₂, flammables, HFO, Freon]
- ✓ Passende Drucksensoren verfügbar
[Suitable pressure sensors available]