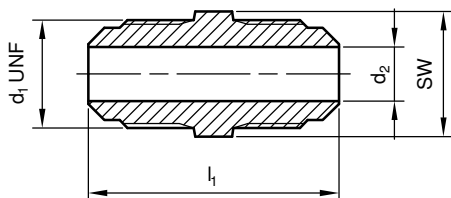


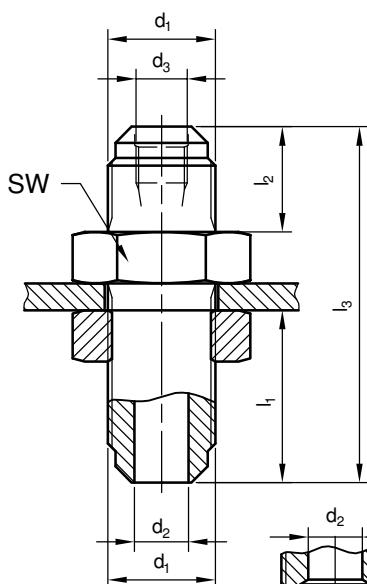
Verbindungsrippel - Nipple connector



| Order Number | FAS Typ | d ₁ | d ₂ | l ₁ | SW |
|--------------|---------|----------------|----------------|----------------|----|
| 870 801 000 | VN6 | 7/16-20 UNF | 4 | 32 | 14 |
| 870 802 000 | VN10 | 5/8-18 UNF | 7,5 | 39 | 17 |
| 870 803 000 | VN12 | 3/4-16 UNF | 9,5 | 44 | 22 |
| 870 804 000 | VN15 | 7/8-14 UNF | 13 | 47 | 24 |

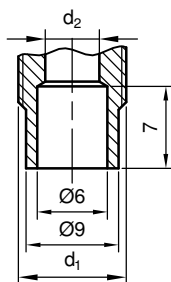
Material: CuZn39Pb3 (gefertigt aus Stangenmaterial)
 (made by rod material)

Behälterverschraubung - Tank connector



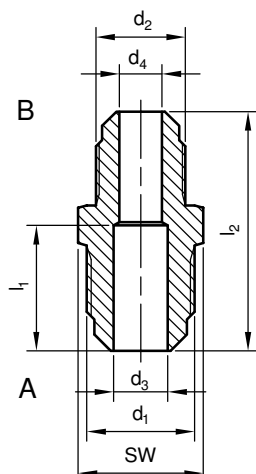
| Order Number | FAS Typ | d ₁ | d ₂ | d ₃ | l ₁ | l ₂ | l ₃ | SW |
|--------------|-----------|----------------|----------------|----------------|----------------|----------------|----------------|----|
| 870 901 000 | VNS6 | 7/16-20 UNF | 4 | - | 27 | 13,5 | 48,5 | 19 |
| 870 911 000 | VNS6 Vg5 | 7/16-20 UNF | 4 | Vg5 | 27 | 13,5 | 48,5 | 19 |
| 870 911 300 | VNSL6 Vg5 | 7/16-20 UNF | 4 | Vg5 | 27 | 13,5 | 48,5 | 19 |
| 870 902 000 | VNS10 | 5/8-18 UNF | 7,5 | - | 32,5 | 16,5 | 58 | 24 |
| 870 903 000 | VNS12 | 3/4-16 UNF | 9,5 | - | 35 | 18,5 | 62,5 | 27 |

Material: CuZn39Pb3 (gefertigt aus Stangenmaterial)
 (made by rod material)



870 911 300
 VNSL6 Vg5

Reduziernippel - Reducing nipple



| Order Number | FAS Typ A/B | d ₁ | d ₂ | d ₃ | d ₄ | l ₁ | l ₂ | SW |
|--------------|----------------|----------------|----------------|----------------|----------------|----------------|----------------|----|
| 871 001 000 | RN10/6 | 5/8-18 UNF | 7/16-20 UNF | 7,5 | 4 | 19 | 36 | 17 |
| 871 002 000 | RN12/6 | 3/4-16 UNF | 7/16-20 UNF | 10 | 4 | 22 | 41,5 | 22 |
| 871 003 000 | RN12/10 | 3/4-16 UNF | 5/8-18 UNF | 8,5 | 7,5 | 22 | 42 | 22 |
| 871 004 000 | RN15/12 | 7/8-14 UNF | 3/4-16 UNF | 13 | 10 | 23 | 51 | 24 |
| 871 005 000 | RN18/15 | 1 1/16-14 UNS | 7/8-14 UNF | 15 | 13 | 28 | 59 | 32 |
| 871 006 000 | RN22/18 | 1 1/4-12 UNF | 1 1/16-14 UNS | 20 | 16 | 31 | 63 | 32 |

Material: CuZn39Pb3 (gefertigt aus Stangenmaterial)
 (made by rod material)